

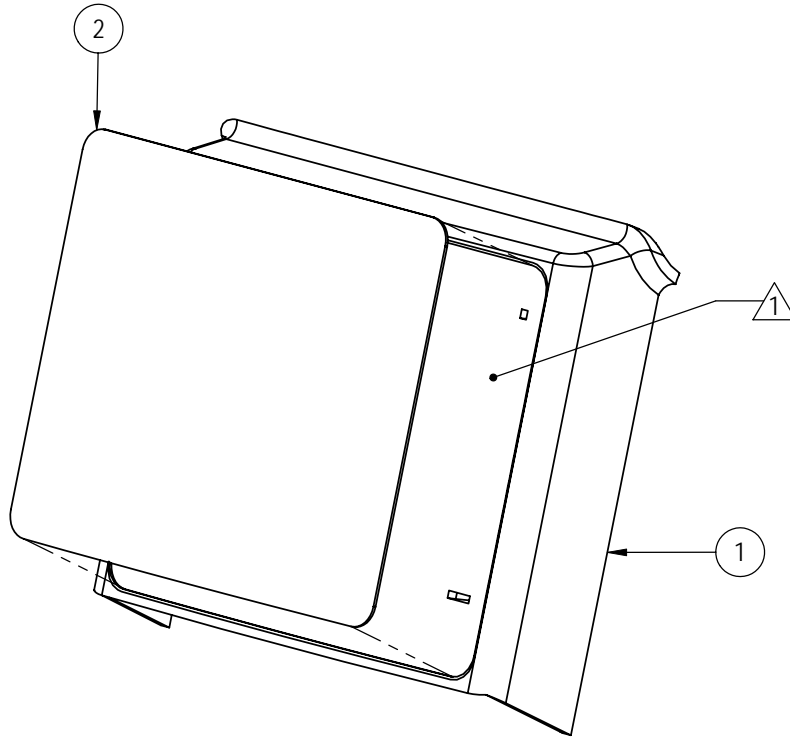
10 9 8 7 6 5 4 3 2 1

REVISIONS

REV.	DATE	DESCRIPTION	ECO	BY
A	03/16/2007	RELEASE FOR PRODUCTION	11562	RLH

NOTES:

1. CLEAN ENTIRE NON-TEXTURED SURFACE WITH ISOPROPYL ALCOHOL & LET DRY BEFORE APPLICATION OF KEYPAD.



ITEM NO.	PART NUMBER	DESCRIPTION	QTY.
1	020-7057	HOUSING,CENTER CONSOLE,BCS,BASIC	1
2	050-2028	KEYPAD, CC, BCS, BASIC	1

DOCUMENT STATUS:
RELEASE

MATERIAL SEE BOM		TOLERANCES UNLESS OTHERWISE SPECIFIED X.XXX = ± .010" (0.25MM) ANGLES = ± 2° X.XX = ± .030" (0.76MM) FRACTIONS = ± 1/32 X.X = ± .050" (1.27MM) X. = ± .125" (3.20MM)		UNISEN, INC. DBA STAR TRAC 14410 Myford Road Irvine CA 92606	
FINISH N/A		INITIAL	DATE	STARTRAC PART NO	REV
VENDOR: N/A P/N: N/A		DRAWN	JRT	12/05/06	718-5096 A
		CHECKED			
		APPROVED			
		U.O.M.	INCH	TITLE	
				ASSY, CC, BCS, BASIC	
				SCALE: 1:2	SHEET 1 OF 1 SHEET SIZE: A

NOTICE OF PROPRIETARY INFORMATION
THIS DOCUMENT SHALL NOT BE REPRODUCED NOR SHALL THE INFORMATION CONTAINED HEREIN BE USED BY OR DISCLOSED TO OTHER EXCEPT AS EXPRESSLY AUTHORIZED BY UNISEN

10 9 8 7 6 5 4 3 2 1